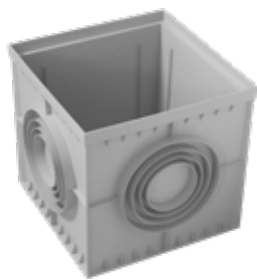


CATCH-PIT PLUS AND SEVENTY



INDEX

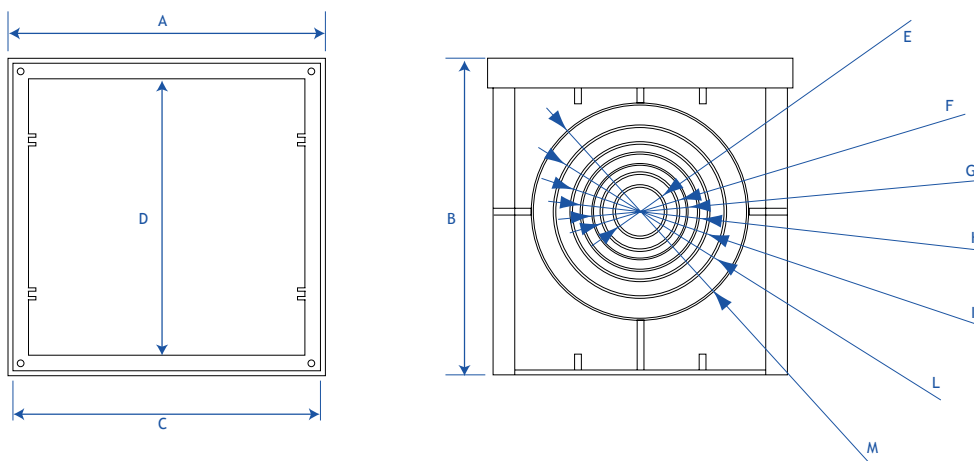
1. Code registry
2. Use
3. Technical specification

1. CODE REGISTRY

Code	Description	Dimensions (mm)	Weight	Colour	Pkg. / Pallet
POZ01-1372	Catch-Pit Plus	200 x 200	0,700 kg/pc.	Grey	1 pc. / 150 pcs
POZ01-1372S	Catch-Pit Plus - Export version	200 x 200	1,103 kg/pc.	Grey	1 pc. / 240 pcs
POZ01-1372B	Catch-Pit Plus	250 x 250	1,200 kg/pc.	Grey	1 pc. / 160 pcs
POZ01-1373	Catch-Pit Plus	300 x 300	1,630 kg/pc.	Grey	1 pc. / 48 pcs
POZ01-1373S	Catch-Pit Plus - Export version	300 x 300	2,180 kg/pc.	Grey	1 pc. / 96 pcs
POZ01-1374	Catch-Pit Plus	400 x 400	3,000 kg/pc.	Grey	1 pc. / 27 pcs
POZ01-1374S	Catch-Pit Plus - Export version	400 x 400	4,050 kg/pc.	Grey	1 pc. / 36 pcs
POZ01-1371	Catch-Pit Plus	550 x 550	8,300 kg/pc.	Grey	1 pc. / 20 pcs
POZ01-1370	Catch-Pit Seventy	700 x 700	16,200 kg/pc.	Grey	1 pc. / 8 pcs

MATERIAL

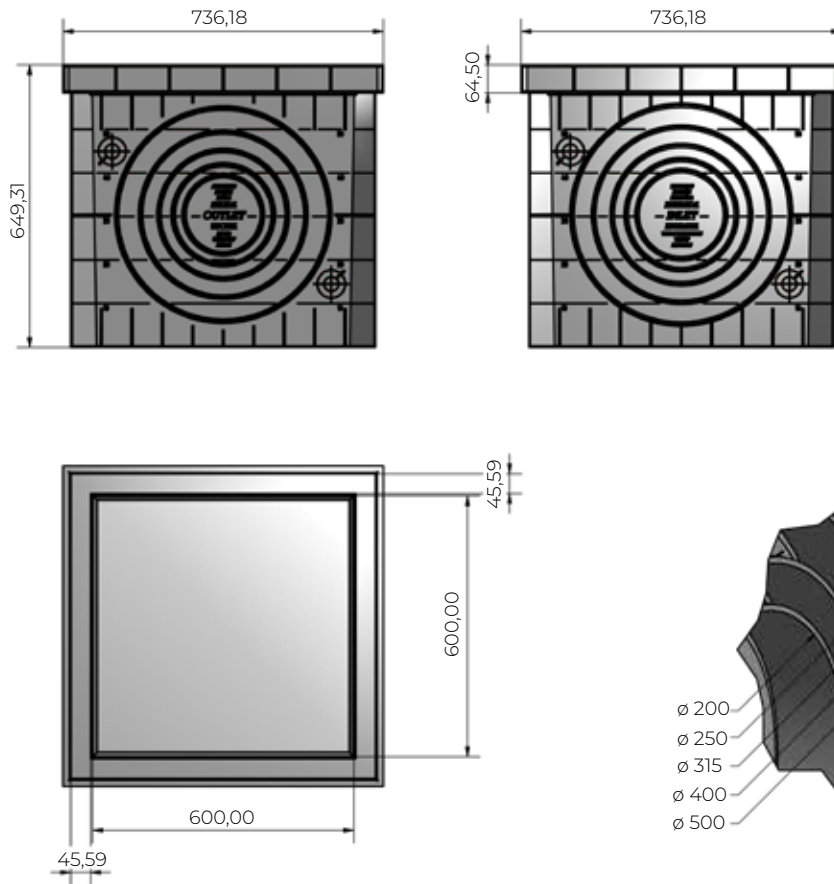
Made of PP (polypropylene).



	A	B	C	D	E	F	G	H	I	L	M	N	WEIGHT KG
POZ01-1372	193	200	188	162				63	80	100	125		0,700
POZ01-1372S	193	200	188	162			50	70	90	110	125		1,103
POZ01-1372B	243	249	248	236				63	80	100	125		1,060
POZ01-1373	292	296	286	252			63	80	100	125	140		1,630
POZ01-1373S	292	296	286	252			75	90	110	125	140		2,180
POZ01-1374	395	398	387	354	63	80	100	125	140	160	200		3,000
POZ01-1374S	395	398	387	354	75	90	110	125	140	160	200	250	4,245
POZ01-1371	542	521	532	499					160	200	250	315	8,300

CATCH-PIT PLUS AND SEVENTY

POZ01-1370



2. USE

It is used as an alternative to traditional concrete manholes.



CATCH-PIT PLUS AND SEVENTY

3. TECHNICAL SPECIFICATION

Specification	Description	Unity	Price
Dak.D.POZ01.137x	<p>Supply and installation of cubic catch-pit is available in various sizes, from 200 x 200 to 700 x 700 mm, grey colour.</p> <p>Main characteristics:</p> <ul style="list-style-type: none"> · Light weight for easy transport, positioning and installation, even by a single person; · High resistance, thanks to the reinforcements and ribs on the sides; · Pipes of every sizes can easily fit thanks to the special pre-cutted concentric shape of the side holes. <p>Compatible with relative PP catch-pit cover and grating.</p> <p>The export versions of the catch-pit (200 x 200, 300 x 300 and 400 x 400 mm) are characterized by different inlet diameters (90/110 mm).</p> <p>The 250 x 250, 550 x 550 and 700 x 700 versions are universal.</p> <p>Made of PP (polypropylene).</p> <p>It is used as an alternative to traditional concrete manholes.</p>		
Dak.D.POZ01.1372	Dimension 200 x 200 mm.....	pc.	-
Dak.D.POZ01.1372S	Dimension 200 x 200 mm.....	pc.	-
Dak.D.POZ01.1372B	Dimension 250 x 250 mm.....	pc.	-
Dak.D.POZ01.1373	Dimension 300 x 300 mm.....	pc.	-
Dak.D.POZ01.1373S	Dimension 300 x 300 mm.....	pc.	-
Dak.D.POZ01.1374	Dimension 400 x 400 mm.....	pc.	-
Dak.D.POZ01.1374S	Dimension 400 x 400 mm.....	pc.	-
Dak.D.POZ01.1371	Dimension 550 x 550 mm.....	pc.	-
Dak.D.POZ01.1370	Dimension 700 x 700 mm.....	pc.	-