

QUICK LEVEL



INDIEX

1. Code registry
2. Description
3. Technical specification

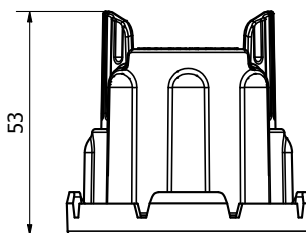
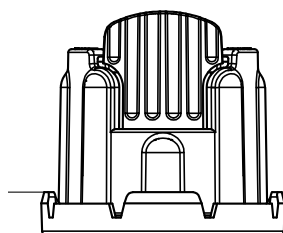
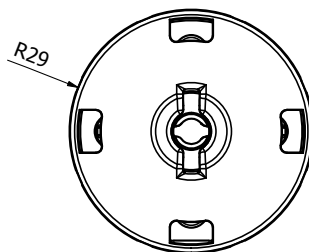
1. CODE REGISTRY

| Code | Description | Colour | Measures (mm) | Weight | Bag / Pkg. / Pallet |
|---------------|---|--------|---------------|---------------|------------------------------|
| TER04-4400DK | Cylinder Quick Level with scratch proof disk | Blue | - | 0,93 kg/pcs. | 50 pc. / 10 bags / 200 bags |
| TER04-4401DK | Disposable screw 1 mm for cylinder system from 3 to 22 mm | Green | 1 | 0,300 kg/pcs. | 100 pc. / 25 bags / 375 bags |
| TER04-44015DK | Disposable screw 1,5 mm for cylinder system from 3 to 22 mm | Grey | 1,5 | 0,300 kg/pcs. | 100 pc. / 25 bags / 375 bags |
| TER04-4402DK | Disposable screw 2 mm for cylinder system from 3 to 22 mm | Black | 2 | 0,300 kg/pcs. | 100 pc. / 25 bags / 375 bags |
| TER04-44025DK | Disposable screw 2,5 mm for cylinder system from 3 to 22 mm | Blue | 2,5 | 0,300 kg/pcs. | 100 pc. / 25 bags / 375 bags |
| TER04-4403DK | Disposable screw 3 mm for cylinder system from 3 to 22 mm | White | 3 | 0,300 kg/pcs. | 100 pc. / 25 bags / 375 bags |
| TER04-4404DK | Disposable screw 4 mm for cylinder system from 3 to 22 mm | Yellow | 4 | 0,300 kg/pcs. | 100 pc. / 25 bags / 375 bags |

MATERIAL

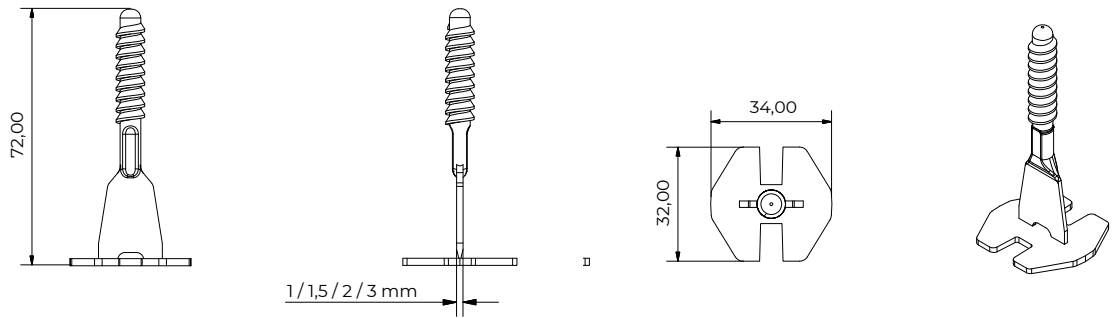
made of regenerated plastic material

TER04-4400DK



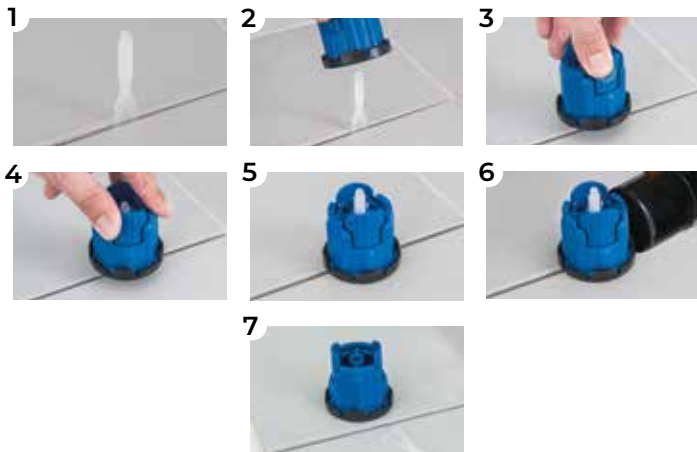
QUICK LEVEL

TER04-4401DK
TER04-44015DK
TER04-4402DK
TER04-4403DK



2. USE

Use as a levelling tool for tiles of various dimensions and sizes.



| A (cm) | 10 | 15 | 20 | 25 | 30 | 33 | 40 | 45 | 50 | 60 | 80 | 90 | 100 | 120 | B (cm) |
|--------|-----|----|----|----|----|----|----|----|----|----|----|----|-----|-----|--------|
| 10 | 200 | | | | | | | | | | | | | | 10 |
| 15 | 133 | 89 | | | | | | | | | | | | | 15 |
| 20 | 100 | 67 | 50 | | | | | | | | | | | | 20 |
| 25 | 80 | 53 | 40 | 32 | | | | | | | | | | | 25 |
| 30 | 100 | 67 | 50 | 40 | 44 | | | | | | | | | | 30 |
| 33 | 91 | 61 | 45 | 36 | 40 | 37 | | | | | | | | | 33 |
| 40 | 75 | 50 | 37 | 30 | 33 | 30 | 25 | | | | | | | | 40 |
| 45 | 67 | 44 | 33 | 27 | 30 | 27 | 22 | 20 | | | | | | | 45 |
| 50 | 60 | 40 | 30 | 24 | 27 | 24 | 20 | 13 | 16 | | | | | | 50 |
| 60 | 50 | 33 | 25 | 20 | 22 | 20 | 17 | 15 | 10 | 11 | | | | | 60 |
| 80 | 50 | 33 | 25 | 20 | 21 | 19 | 16 | 14 | 15 | 10 | 9 | | | | 80 |
| 90 | 44 | 30 | 22 | 18 | 19 | 17 | 14 | 12 | 15 | 9 | 8 | 7 | | | 90 |
| 100 | 50 | 33 | 25 | 20 | 20 | 18 | 15 | 13 | 15 | 10 | 9 | 8 | 8 | | 100 |
| 120 | 42 | 28 | 21 | 17 | 17 | 15 | 13 | 11 | 15 | 8 | 7 | 6 | 7 | 6 | 120 |

3. TECHNICAL SPECIFICATION

| Item | Description | Unit | Price |
|---------------------|---|------|-------|
| Dak.I.TER04.440xDK | Supply and installation of System Leveling. A kit composed of two assembled elements (cylinder and screw). It is an easy and quick way to rectify any differences between tile and tile, thus obtaining a complanar and equidistant pose without any lippage. The cylinder is equipped with Scratch Proof Disk that allows a secure installation and prevents any scratches on the surface. The working range is very wide for tiles from 3 to 22 mm. Available in 1, 1,5, 2, 3 mm joints. Made of PP (polypropylene). Used as leveling system for flooring, facade tiles and coatings of various sizes and thicknesses, especially for large ones | | |
| Dak.I.TER04.4400DK | Cilynder - Blue..... | pc. | - |
| Dak.I.TER04.4401DK | Disposable screw 1 mm for cylinder system from 3 to 22 mm | pc. | - |
| Dak.I.TER04.44015DK | Disposable screw 1,5 mm for cylinder system from 3 to 22 mm | pc. | - |
| Dak.I.TER04.4402DK | Disposable screw 2 mm for cylinder system from 3 to 22 mm | pc. | - |
| Dak.I.TER04.44025DK | Disposable screw 2,5 mm for cylinder system from 3 to 22 mm | pc. | - |
| Dak.I.TER04.4403DK | Disposable screw 3 mm for cylinder system from 3 to 22 mm | pc. | - |
| Dak.I.TER04.4404DK | Disposable screw 4 mm for cylinder system from 3 to 22 mm | pc. | - |