

# RIALTO™ SAFETY GRID

## INDEX

1. Code registry
2. Description
3. Use
4. Laying and compatibility
5. Load test
6. Technical specification

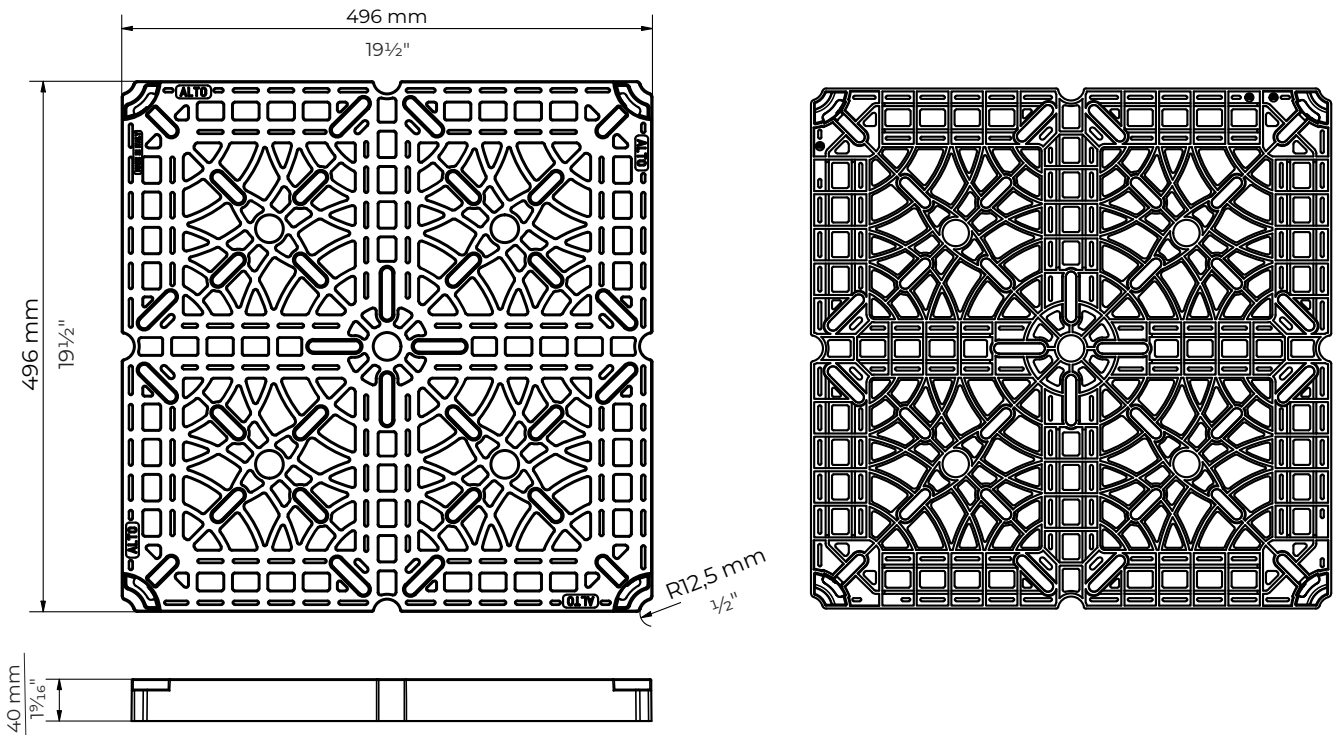
## 1. CODE REGISTRY

| Code       | Description                          | Size mm (inch)                  | Weight g/pc. (lbs/pc.) | Colour | Pkg. /Pallet         |
|------------|--------------------------------------|---------------------------------|------------------------|--------|----------------------|
| TER09-1245 | Rialto™ Safety Grid - open version   | 500 x 500 x 40 - 19½ x 19½ x 1½ | 3,035 (6.691)          | Black  | 1 pc. / 128 pcs.     |
| TER09-1246 | Rialto™ Safety Grid - closed version | 500 x 500 x 40 - 19½ x 19½ x 1½ | 3,200 (7.055)          | Black  | 1 pc. / 128 pcs.     |
| TER09-1247 | Locking Connector for Rialto™ system |                                 | 25.2 (0.055)           | Black  | 65 pz / 72 pcs.      |
| TER09-1131 | Acoustic Rubber Separator Mat        | Ø 130 - thk. 2 (5¼ - thk. 5/64) | 33.0 (0.073)           | Black  | 100 pc. / 7,200 pcs. |

## MATERIAL

### RIALTO™ SAFETY GRID OPEN VERSION

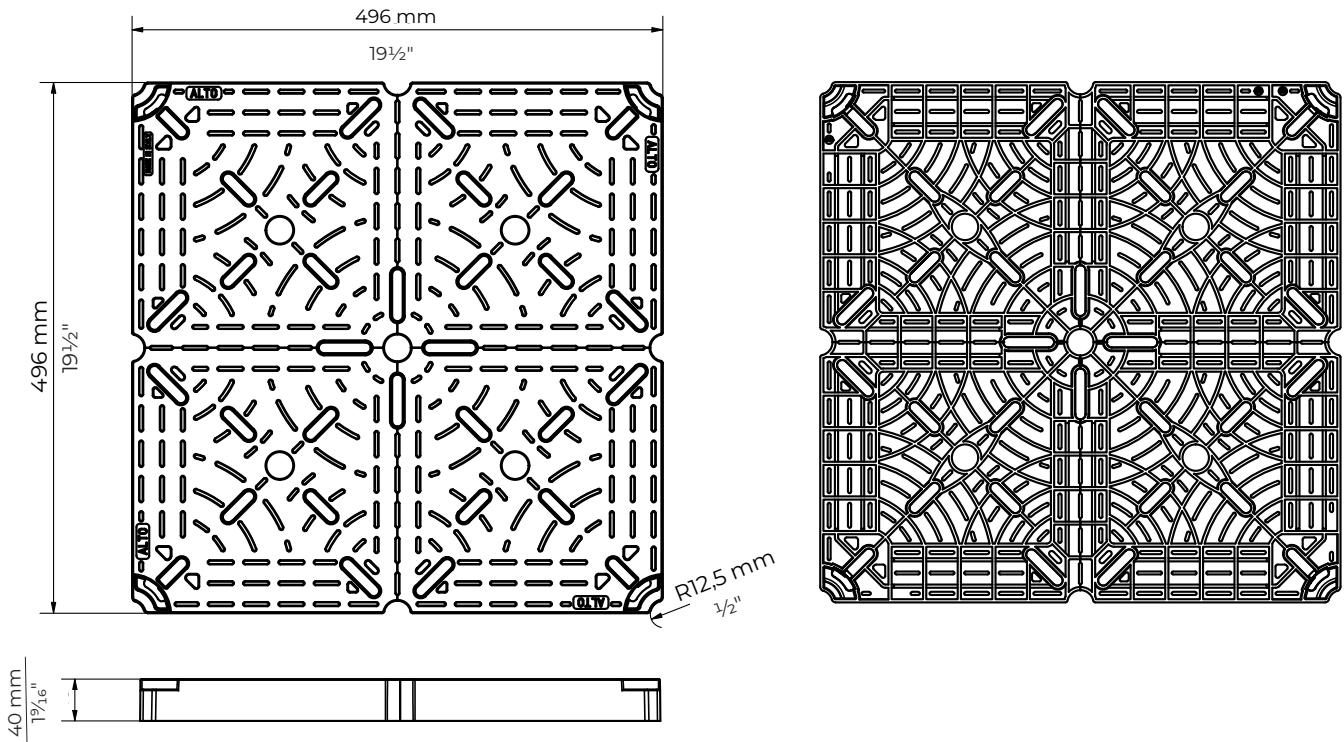
TER09-1245



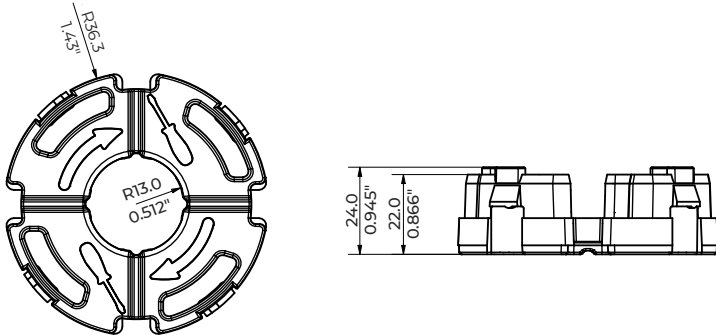
# RIALTO™ SAFETY GRID

## RIALTO™ SAFETY GRID CLOSED VERSION

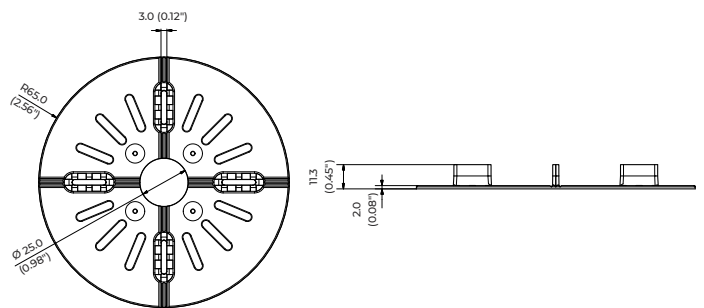
TER09-1246



### LOCKING JOINT TER09-1247



### ANTI-NOISE RUBBER SHIM TER09-1131



## 2. DESCRIPTION

The Rialto™ safety grid enables the laying of a safe (no fall-through), strong, stable, and perfectly flat (lippage free) sub-structure for external raised floors and walkways.

The Rialto™ safety grid is designed to be supported by all Dakota tile/paver support pedestals: Arkimede, Hercules and 3D-scopic, with which the desired height can be achieved in a few simple steps.

The solidity and integrity of the system is guaranteed by the material of the grids, made of reinforced polypropylene, and by the use of the special Locking Connector (TER09-1247), that joins the grids together to make an integrated structure of exceptional stability and strength.

Once the grids are laid and locked together, the last step is the application of a final covering such as:

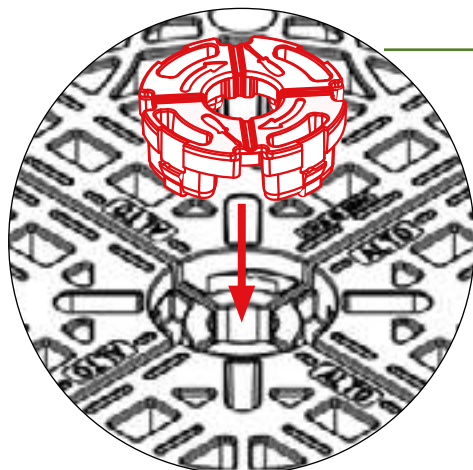
- Multi-size tiles for external use (concrete, porcelain, marble, etc.). For this type of covering we suggest using the OPEN GRID as this ensures optimal draining of rainwater to the ground below. The use of the TPV Acoustic Rubber Separator (TER09-1131) makes it possible to dramatically reduce footfall noise and guarantee a 3 mm joint between the tiles.
- Synthetic Grass or Outdoor Carpeting. In this case we suggest using the CLOSED GRID as this provides the appropriate support for the flooring material.

# RIALTO™ SAFETY GRID

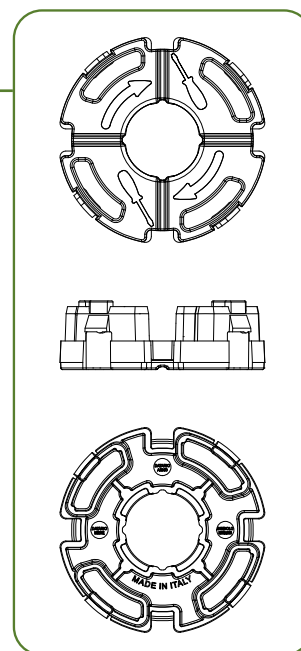
## 3. USE

When used with Locking Connector (TER09-1247) all the grids can be locked together to make a continuous structure of exceptional stability and strength. The Locking Connector can be cut in half, using a suitable saw, for use at the perimeters.

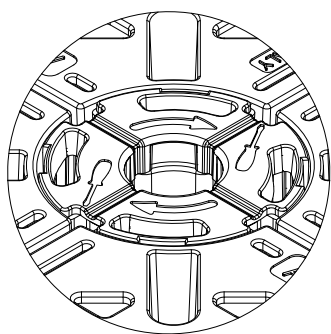
1. POSITIONING OF THE CONNECTION JOINT



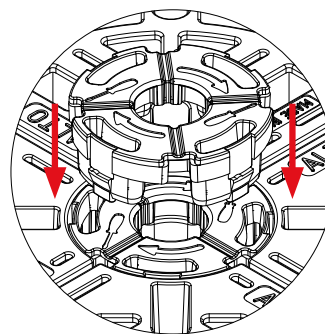
TER09-1247



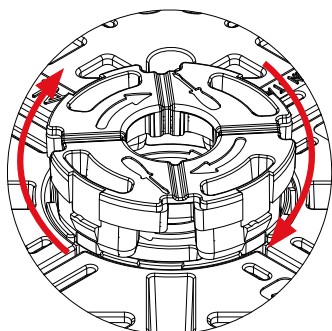
2. UNLOCKED



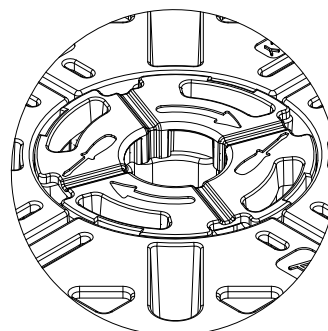
3. USE ANOTHER JOINT AS A "SCREWDRIVER"



4. TURN TO LOCK



5. LOCKED

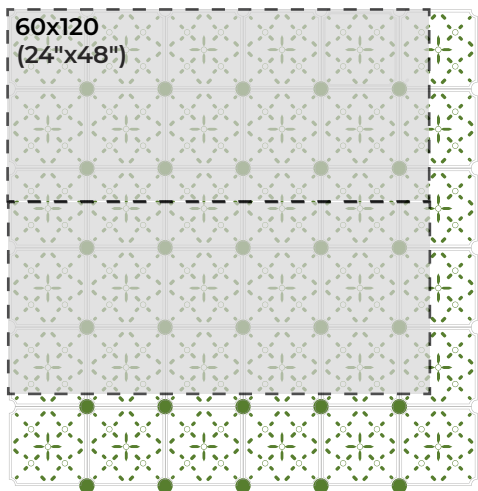
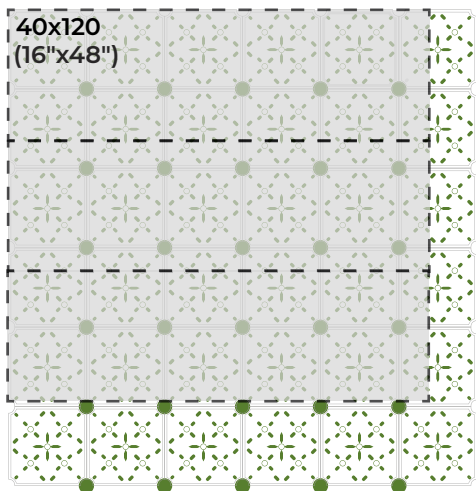
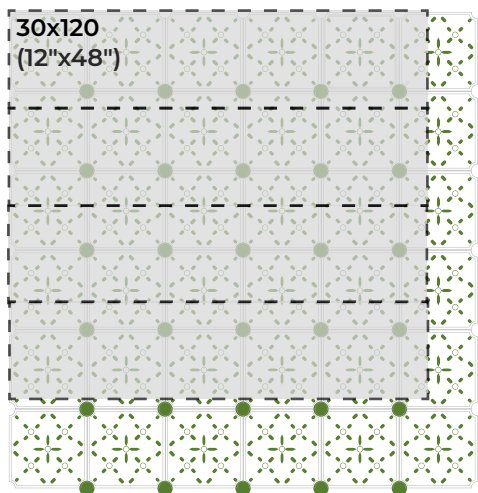
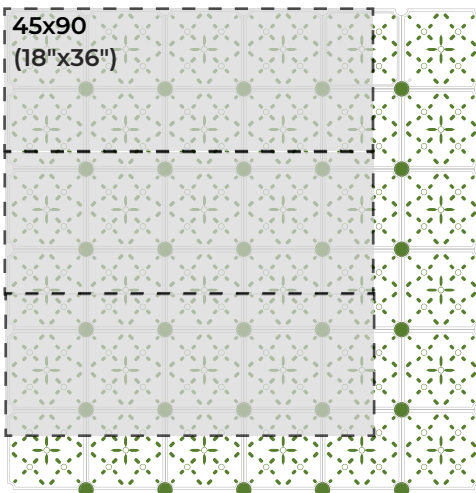
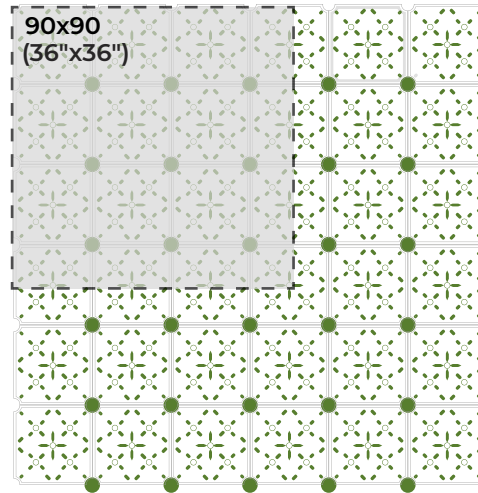
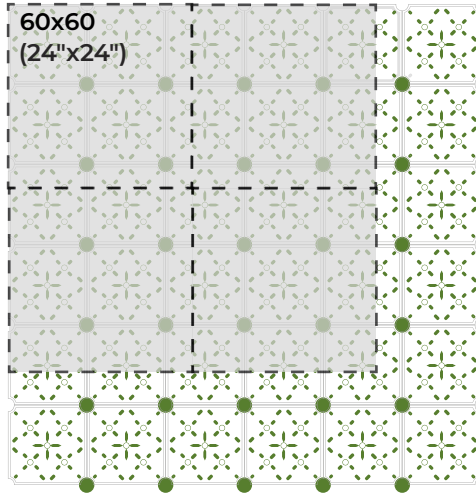


# RIALTO™ SAFETY GRID

## 4. LAYING AND COMPATIBILITY

Rialto™ safety grids are designed to create structures for the laying of external tiles of different sizes. For each tile size, we always recommend the placement of a centrally positioned support pedestal under the Rialto™ safety grid.

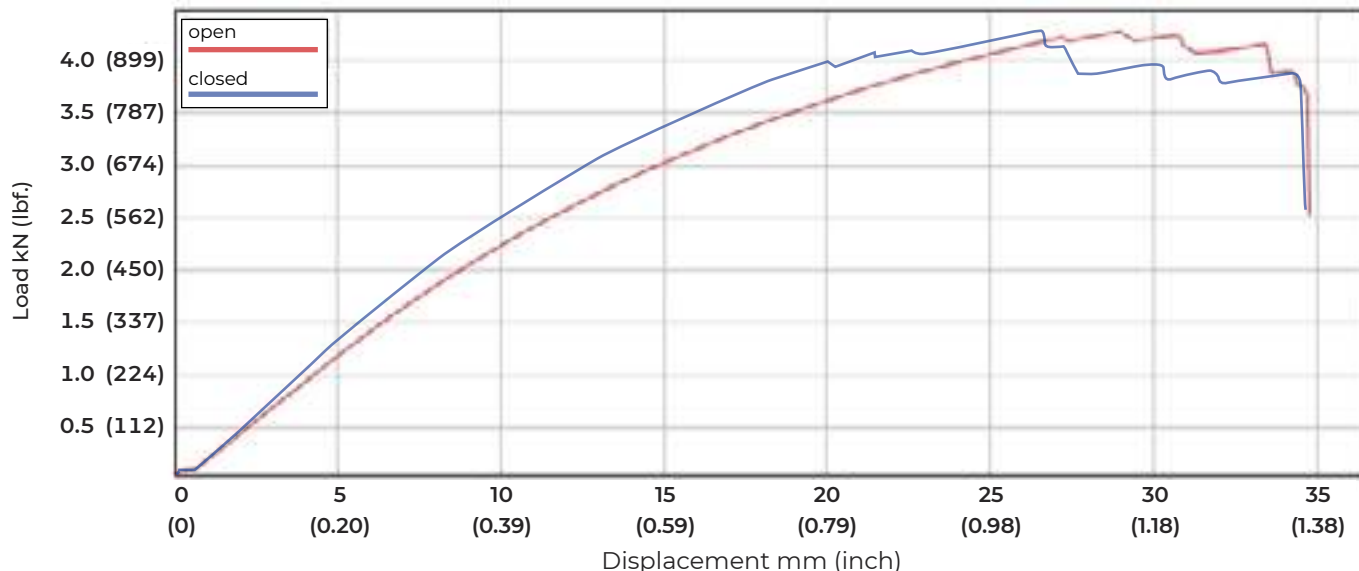
:Some examples of tile layouts (nominal tile sizes in cm (inches))



# RIALTO™ SAFETY GRID

## 5. LOAD TEST

Load curve/Displacement



Results obtained

|         | Maximum Load<br>kN (lbf.) | Maximum Displacement<br>mm (in.) |
|---------|---------------------------|----------------------------------|
| open    | 4.27 (959.9)              | 28.94 (1.14")                    |
| closed  | 4.29 (964.4)              | 27.61 (1.09")                    |
| average | 4.28 (962.2)              | 28.28 (1.11")                    |

## 6. TECHNICAL SPECIFICATION

| Item             | Description   | Unit | Price |
|------------------|---|------|-------|
| Dak.O.TER09.124x | Supply and installation of Rialto™ safety grid for laying floating floors in OPEN pattern (for paving) or CLOSED pattern (for synthetic turf or external carpeting applications). Available in black.<br>Grid / Tile made of PP (polypropylene) 35CC (MP29), acoustic rubber tile separator made of TPV. (Thermoplastic Vulcanizate)<br>Dimensions (nominal) 500 x 500 x 40 mm (24" x24" x 1½") |      |       |
| Dak.O.TER9-1245  | Grid Rialto™ open 500 x 500 x 40 mm (24" x24" x 1½")  | pc.  | -     |
| Dak.O.TER9-1246  | Grid Rialto™ closed 500 x 500 x 40 mm (24" x24" x 1½")  | pc.  | -     |
| Dak.O.TER09.1247 | Locking Connector for Rialto™ system  | pc.  | -     |
| Dak.O.TER09.1131 | Acoustic rubber tile separator Ø 130 - thk. 2 (5½ - thk. 5/64")   | pc.  | -     |