

PENTA - REUSABLE MULTI-THICKNESS SPACER



INDEX

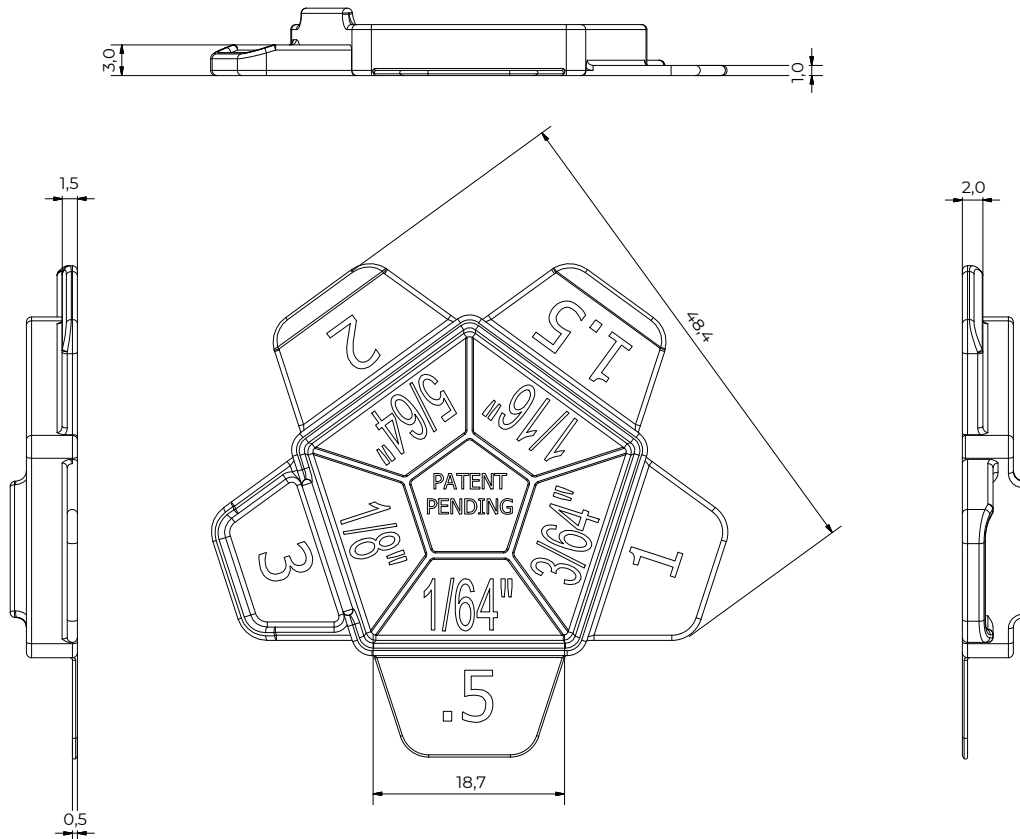
1. Code Registry
2. Use
3. Technical Specification

1. CODE REGISTRY

Code	Description	Colour	(mm)	Weight	Bag / Pkg. / Pallet
TER04-4415	Penta - Reusable multi-thickness spacer - 200 pcs.	Blue	0,5 - 1 - 1,5 - 2 - 3	0,450 kg/bag	20 bags / 15 box.
TER04-4416	Penta - Reusable multi-thickness spacer - 600 pcs.	Blue	0,5 - 1 - 1,5 - 2 - 3	1,600 kg/box	1 box. / 80 box.

MATERIAL

Made of PP (polypropylene)-



PENTA - REUSABLE MULTI-THICKNESS SPACER

2. USE

Used as a spacer for laying both floor and wall tiles.

3. TECHNICAL SPECIFICATION

Specification	Description	Unity	Price
Dak.I.TER04.441x	Product for installation of the reusable multi-thickness grout spacing for tiles. With a single product it is possible to install tiles with a spacer of 0.5, 1, 1.5, 2, 3 mm. Penta is: · The new generation of Tile Spacer studied according the UNI 11493-1 Standard (Methodology for the correct installation of ceramic tiles). · Designed to guarantee of different grout spacing thickness (from 0.5 to 3 mm). · Marked to make easily visible each of the 5 sides of the product to which different thicknesses correspond. · Made in order to be used both on the floor and on the wall. · Packaged in boxes of 600 pcs and / or in envelopes of 200 pcs (boxes of 20 envelopes). Made of PP (polypropylene). Used as a spacer for laying both floor and wall tiles.		
Dak.I.TER04.4415	Bags of 200 pcs.....	bags	-
Dak.I.TER04.4416	Boxes of 600 pcs.....	box	-