

TAURUS CHANNEL 370 x 300 - E600



INDEX

1. Code Registry
2. Use
3. Technical Specification

1. CODE REGISTRY

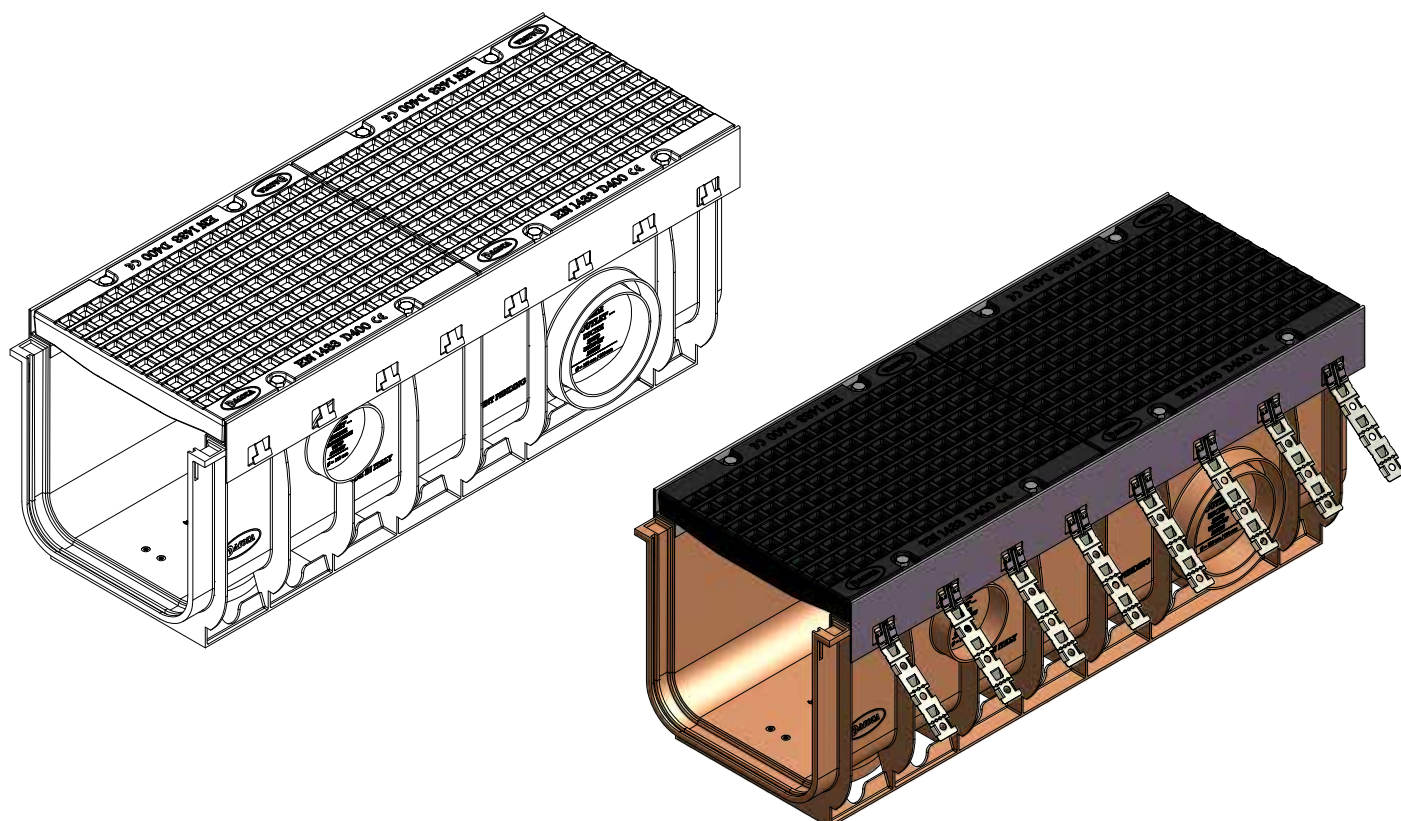
| Code | Description | Dimensions (mm) | Weight | Colour | Pkg. / Pallet |
|-------------|--|-------------------|--------------|--------|----------------|
| POZ92-3835E | Taurus 370/300 with pre-assembled grating - E600 | 370 x 300 x 1.000 | 62,54 kg/pc. | Black | 1 pc. / 12 pcs |

MATERIAL

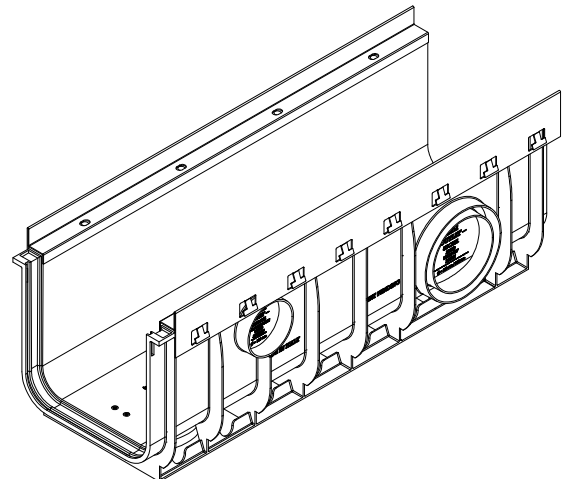
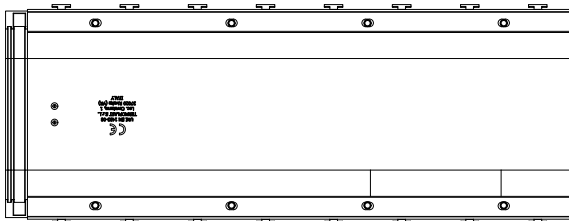
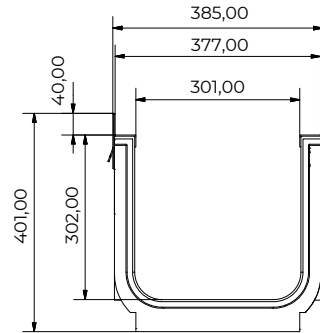
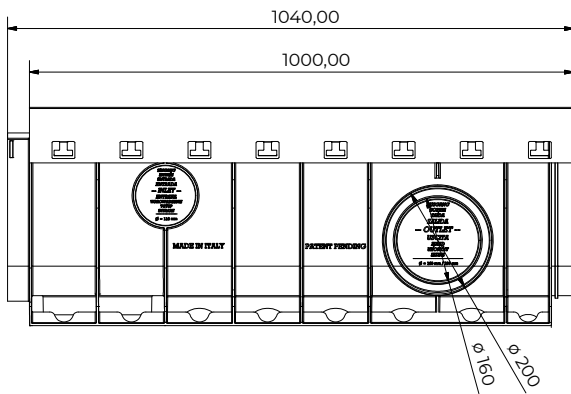
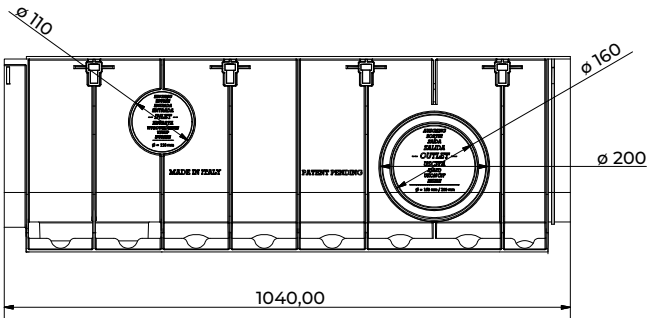
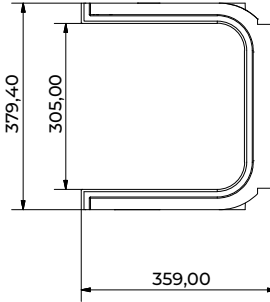
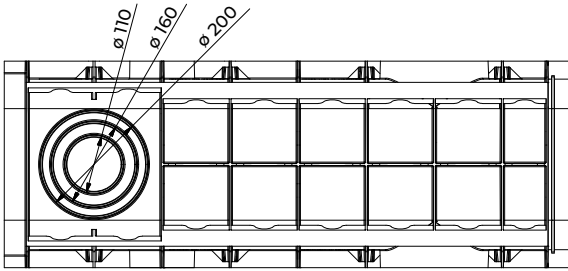
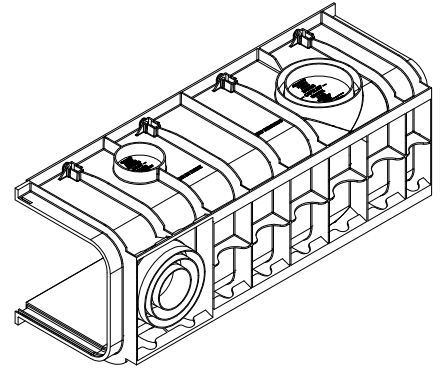
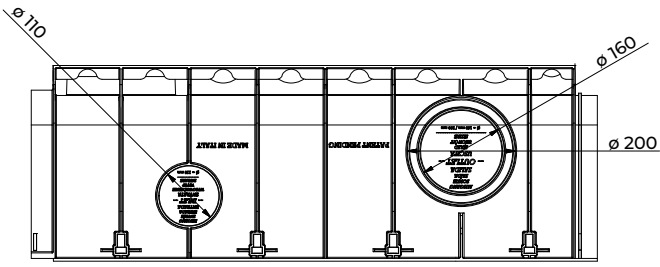
Made of HDPE (High Density Polyethylene).

CERTIFICATION

The item is engraved in accordance to EU regulation UNI 1433.

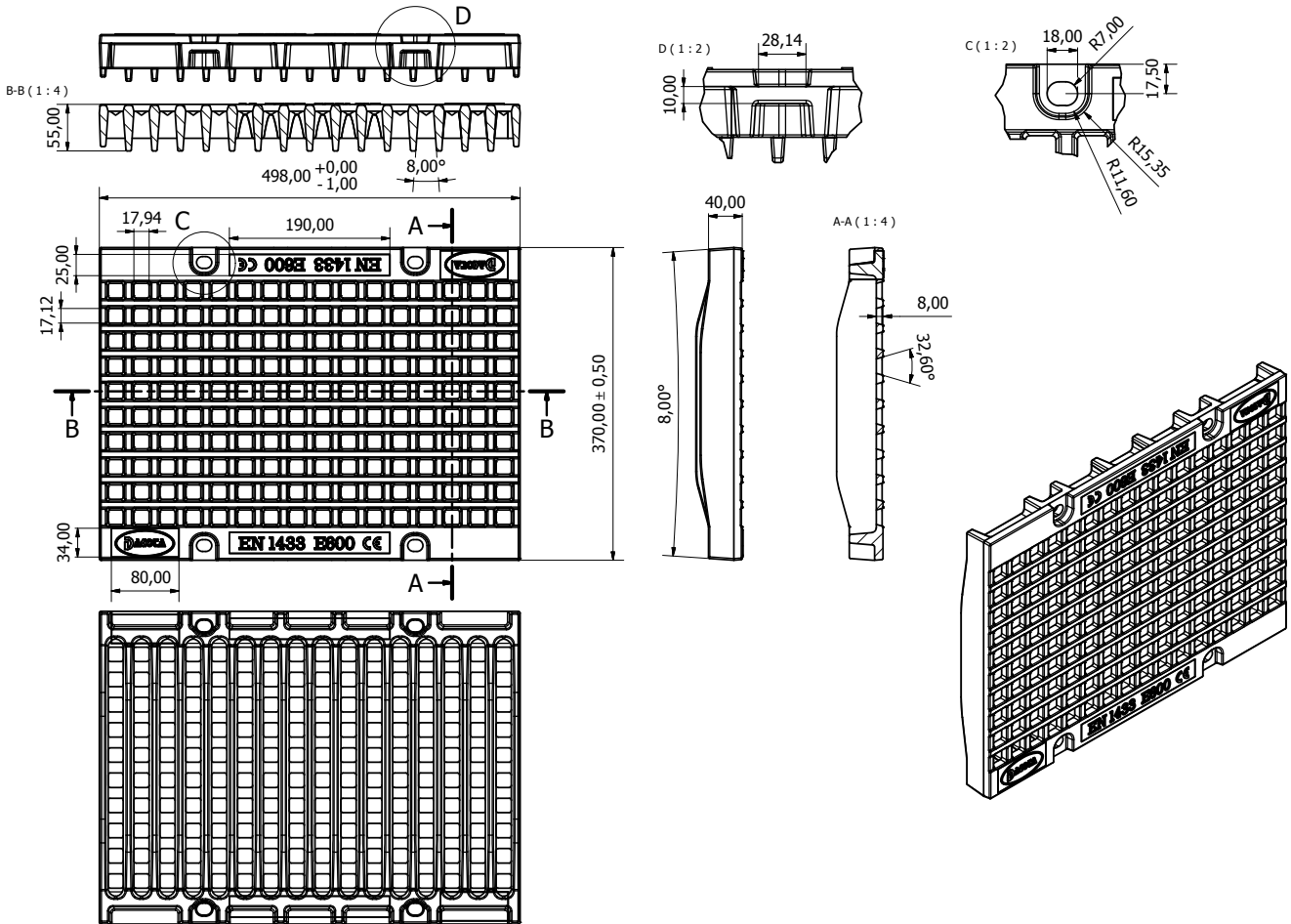


TAURUS CHANNEL 370 x 300 - E600



TAURUS CHANNEL 370 x 300 - E600

POZ90-1381GE



| | material | weight | water passage |
|--------|----------------------|----------|------------------------|
| 1381GE | Spheroidal Cast Iron | 25,22 kg | 491,41 cm ² |

TAURUS CHANNEL 370 x 300 - E600

2. USE

Used for the collection and drainage of rainwater and for the discharge of liquids for industrial use.
It can be combined with a wide range of gratings in order to be used in pedestrian areas, driveways, roads, highways, ports and airports.

INSTALLATION

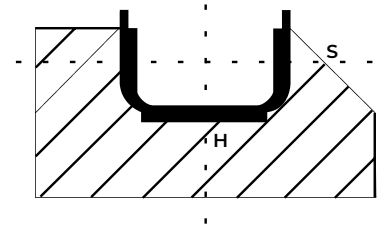
A. Design of excavation

The depth of the excavation depends on the type and dimension of the chosen channel, plus the height of the layer of concrete on the bottom.
At this stage we must also take into consideration the eventual passage of outlet pipes vertical and/or horizontal, and the presence of any catch basin for the collection of waste.
The channel must be laid down starting from the lowest point or discharge.

B. Concrete Base

A concrete layer must be laid down on the laying surface, keeping in consideration any slope for water drainage.
The concrete that will be used for the base and the shoulders of the channel must have S4 fluidity properties, to enable the filling of all the cavities on the outside of the channel. For this reason it must be used aggregates of stones with a maximum diameter of 15 mm must be used.
Please note that Dakota channels are not self-supporting, but they become it after the proper positioning and cast of the concrete.

| Classification | A15 | B125 | C250 | D400 | E600 | F900 |
|--|----------------------|----------------------|----------------------|----------------------|----------------------|----------------------|
| Minimum Concrete Height H | 100 mm | 100 mm | 150 mm | 200 mm | 200 mm | 250 mm |
| Minimum Concrete Thickness S | 100 mm | 100 mm | 150 mm | 200 mm | 200 mm | 250 mm |
| Minimum Compression Resistance R _{ck} | 25 N/mm ² | 30 N/mm ² | 30 N/mm ² | 30 N/mm ² | 35 N/mm ² | 37 N/mm ² |



C. Installing the channel

Always install Dakota channels starting from the point of water discharge (downstream), by connecting the output to the sewerage system or, if present, to the oil separator for the treatment of the first rain. The terminal plug must be inserted on the edge of the channel, and the channels must be installed from downstream to upstream, using the joints on the channels' edges. Then the upstream channel will be cut to achieve the desired length. Arrange then discharges required, install the anchoring profiles on the cast iron profile (when needed), and fill the shoulder of the channel with concrete up to the maximum level.
During this phase is extremely important to install the grating before the concrete bottill, to avoid potential damages due to the pressure exerted by the concrete. Always protect the gratings with a film to avoid any cleaning after the concrete has been cast. For the best water-tightness, it's also possible to utilize a bitumen-based sealant (SHELL TIXOPHALTE, for instance) during the connection one channel on others.

D. Final Coating

When laying down the final coating, make sure that the final pavement is between 3 and 5 mm above the upper edge of the channel or the upper surface of the grating.
Remove then the protective film and fix the gratings to the channel.

3. TECHNICAL SPECIFICATION

| Specification | Description | Unity | Price |
|--------------------------|--|-------|-------|
| Dak.D.POZ92.3835E | Supply and installation of drainage channel named Taurus, made of PE-HD with stiffening external ribbing and coupling system between channels with joint male/female that allows the assembly between one channel and the consecutive one with the gratings assembled on the channel. The channel must have two preset side outlet points and the predisposition on the bottom for a possible outlet. The channel surface will have to be perfectly smooth and with low roughness coefficient to allow the maximum water flowing, the channel will also have to be watertight and without connection points with the external. There must be 3 connections point on the internal face of the channel in order to guarantee the gratings blocking. The channel is supplied with a steel reinforcement profile and spheroidal cast iron grating assembled. Dimensions 385 x 300 x 1.000 mm - Water passage 305 x 301 mm..... | pc. | - |