

FIXED HEAD HERCULES - DECKING



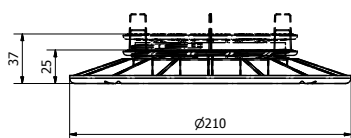
INDEX

1. Code registry
2. Description
3. Use
4. Carrying capacity
5. Fields of use
6. Technical specification

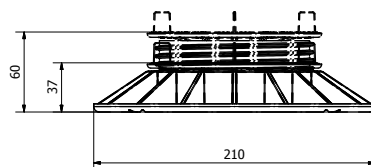
1. CODE REGISTRY

Code	Description	Dimensions (mm)	Weight	Pkg / Pallet
TER09-1183/1F25	Fixed Head Hercules for 4 mm joint	from 25 to 37	0,223 Kg	30 pcs. / 720 pcs.
TER09-1183/1F37	Fixed Head Hercules for 4 mm joint	from 37 to 60	0,284 Kg	30 pcs. / 480 pcs.
TER09-1183/1F60	Fixed Head Hercules for 4 mm joint	from 60 to 94	0,408 Kg	25 pcs. / 300 pcs.
TER09-1183/1F94	Fixed Head Hercules for 4 mm joint	from 94 to 150	0,543 Kg	20 pcs. / 160 pcs.
TER09-1183/1F150	Fixed Head Hercules for 4 mm joint	from 150 to 270	0,736 Kg	15 pcs. / 120 pcs.
TER09-1183/P120	Extension only for Hercules 150 - 270	h. 120	0,186 Kg	30 pcs. / 1.200 pcs.
TER09-1183CHI	Adjustment key for Hercules	-	0,200 Kg	12 pcs. / -

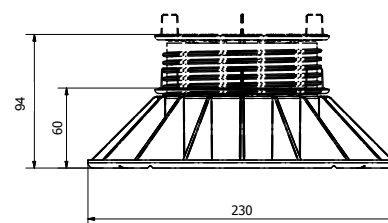
MATERIAL Made of PP (polypropylene).



TER09-1183/1F25

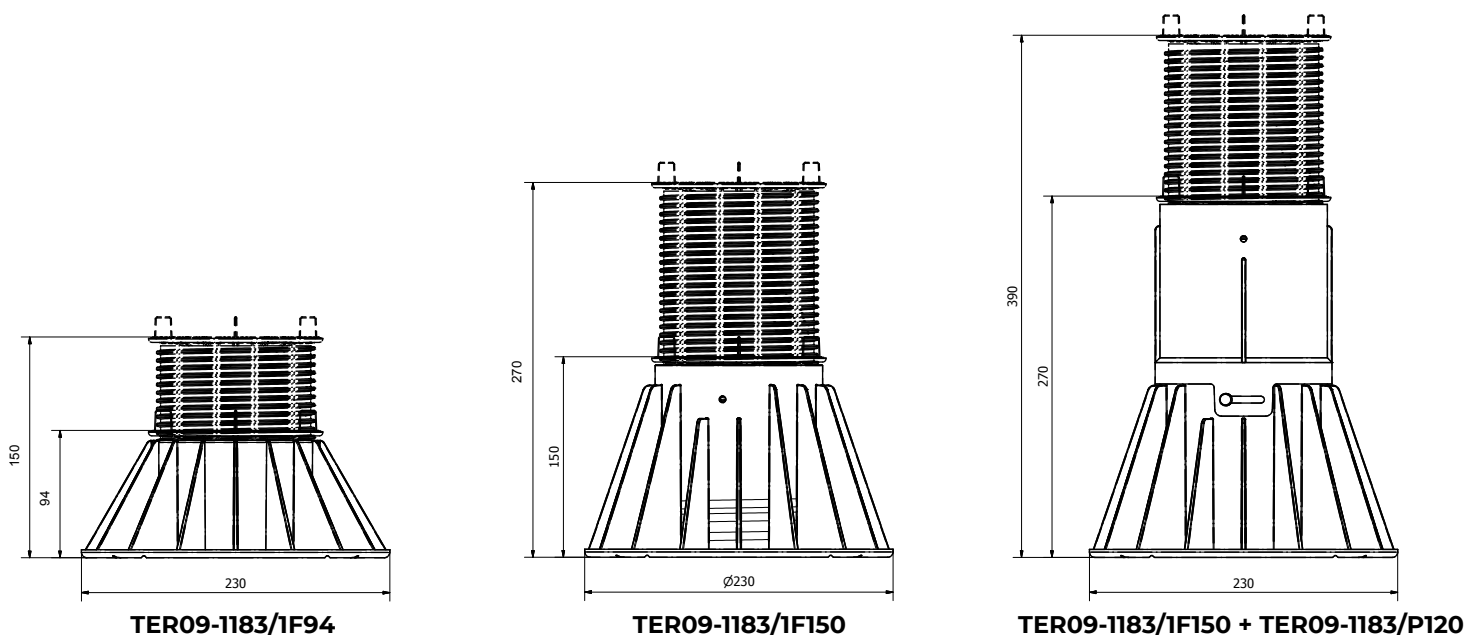


TER09-1183/1F37



TER09-1183/1F60

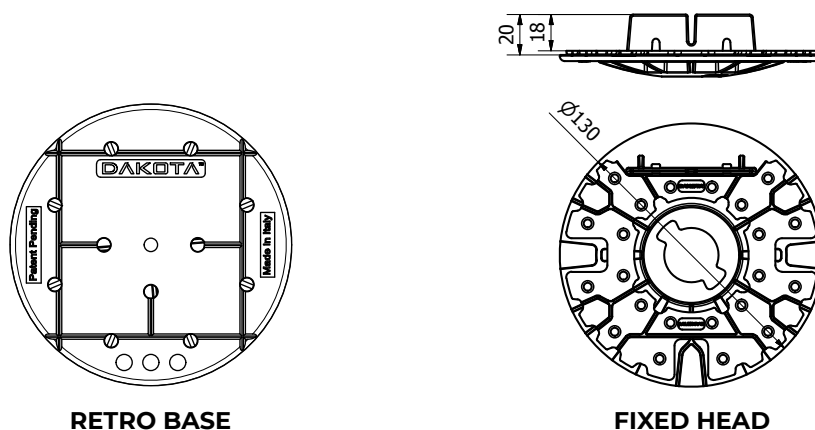
FIXED HEAD HERCULES - DECKING



TER09-1183/1F94

TER09-1183/1F150

TER09-1183/1F150 + TER09-1183/P120



RETRO BASE

FIXED HEAD

2. DESCRIPTION

Hercules adjustable support for outdoor flooring, with adjustable height from min. 25 to max. 390 mm (depending on the model used). Each pack contains the complete disassembled support with base, screw and fixed head for decking for fixing the joist. The head of the holder is equipped with integrated anti-noise rubber. Only the model from h. 150 to 270 mm can be extended by applying the specific extension h. 120 mm (TER09-1183 / P120). The finalization of the adjustment of the support takes place with the floor installed using the appropriate key.

3. USE

Used in external areas, terraces, pavements.

4. CARRYING CAPACITY

- Minimum load capacity = 15 kN (totally extended)
- Maximum load capacity = 30 kN (completely not extended)

5. FIELDS OF USE

Waterproof membrane, hard insulating panels, squids and solid and compact pose plans

FIXED HEAD HERCULES - DECKING



6. TECHNICAL SPECIFICATION

Code	Description	Unit	Price
Dak.D.TER09.1183/1Fxxx	Supply and installation of adjustable support with fixed head "Hercules", for external decking. Dimensions from min. 25 to max. 390 mm (depending on the model used). Available in black colour Made of polypropylene Used in external areas, terraces, pavements.	pc.	-
Dak.D.TER09.1183/1F25	Hercules with adjustable height from 25 to 37 mm and base diameter of 210mm.....	pc.	-
Dak.D.TER09.1183/1F37	Hercules with adjustable height from 37 to 60 mm and base diameter of 210mm.....	pc.	-
Dak.D.TER09.1183/1F60	Hercules with adjustable height from 60 a 94 mm and base diameter of 230mm.....	pc.	-
Dak.D.TER09.1183/1F94	Hercules with adjustable height from 94 a 150 mm and base diameter of 230mm.....	pc.	-
Dak.D.TER09.1183/1F150	Hercules with adjustable height from 150 a 270 mm and base diameter of 230mm.....	pc.	-
Dak.D.TER09.1183/P120	Extension h.120mm in polypropylene compatible with Hercules support 150, TER09-1183/1F150	pc.	-